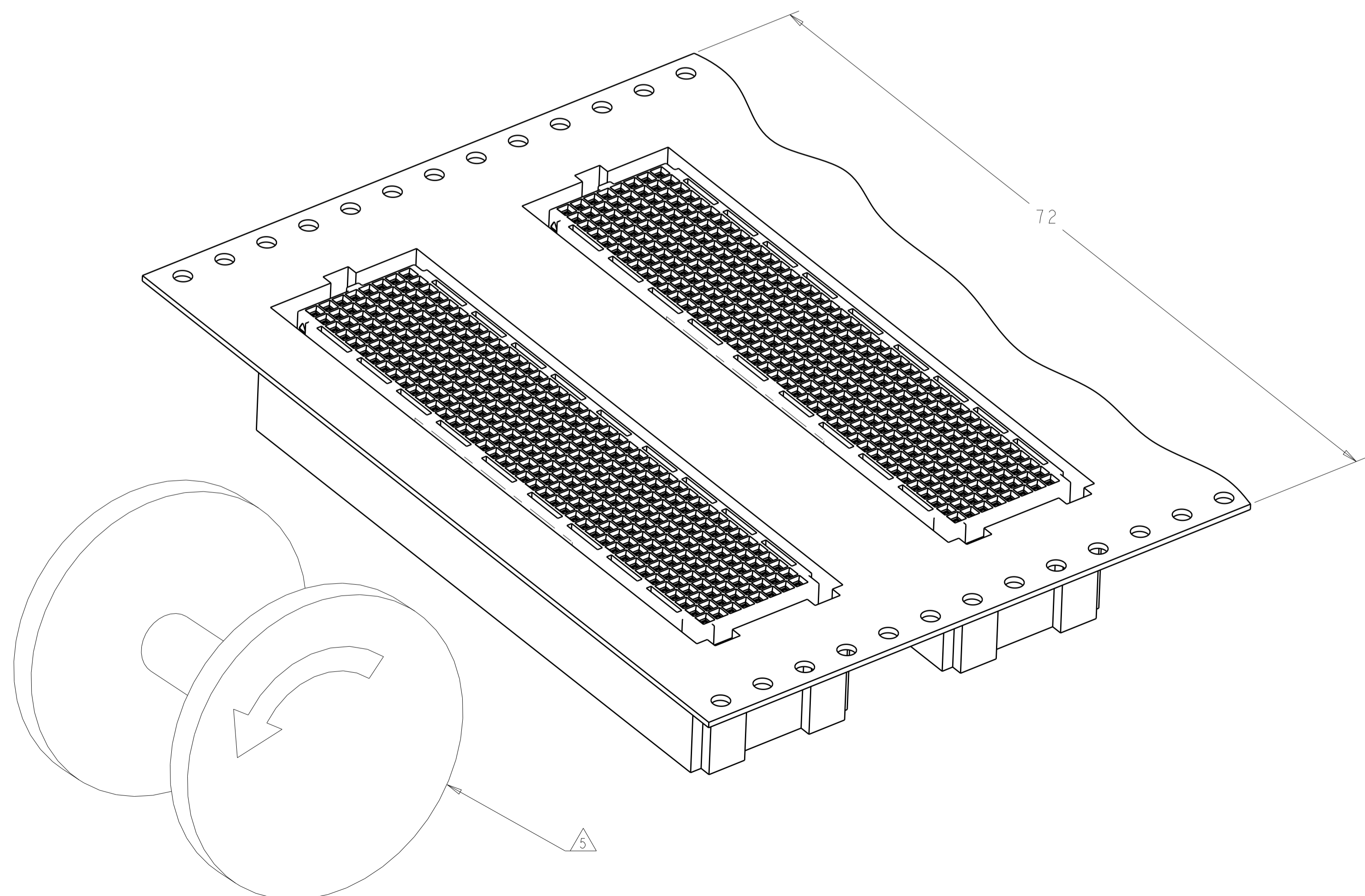
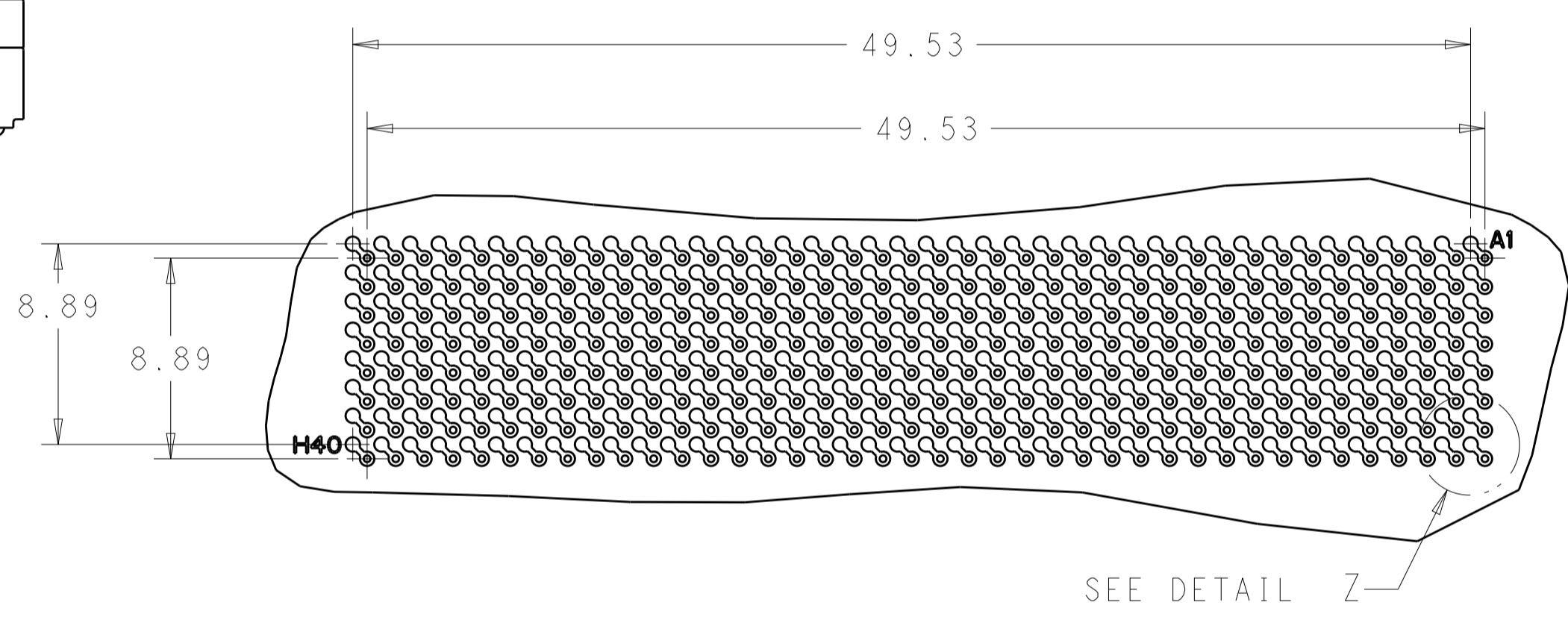
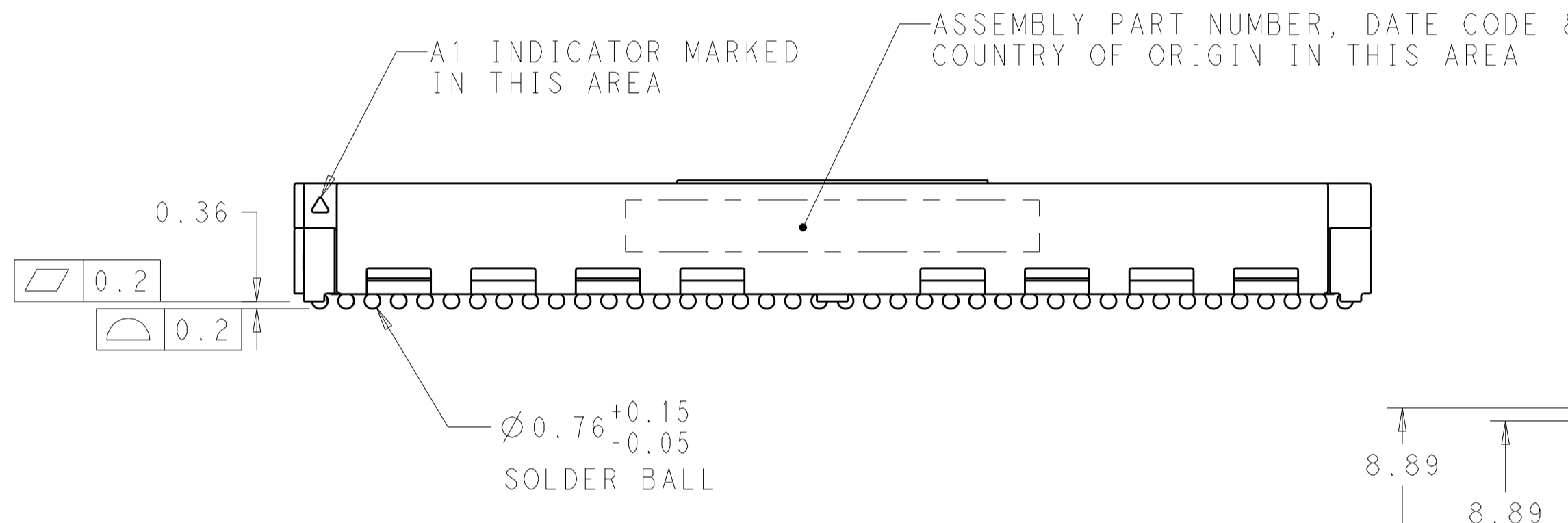
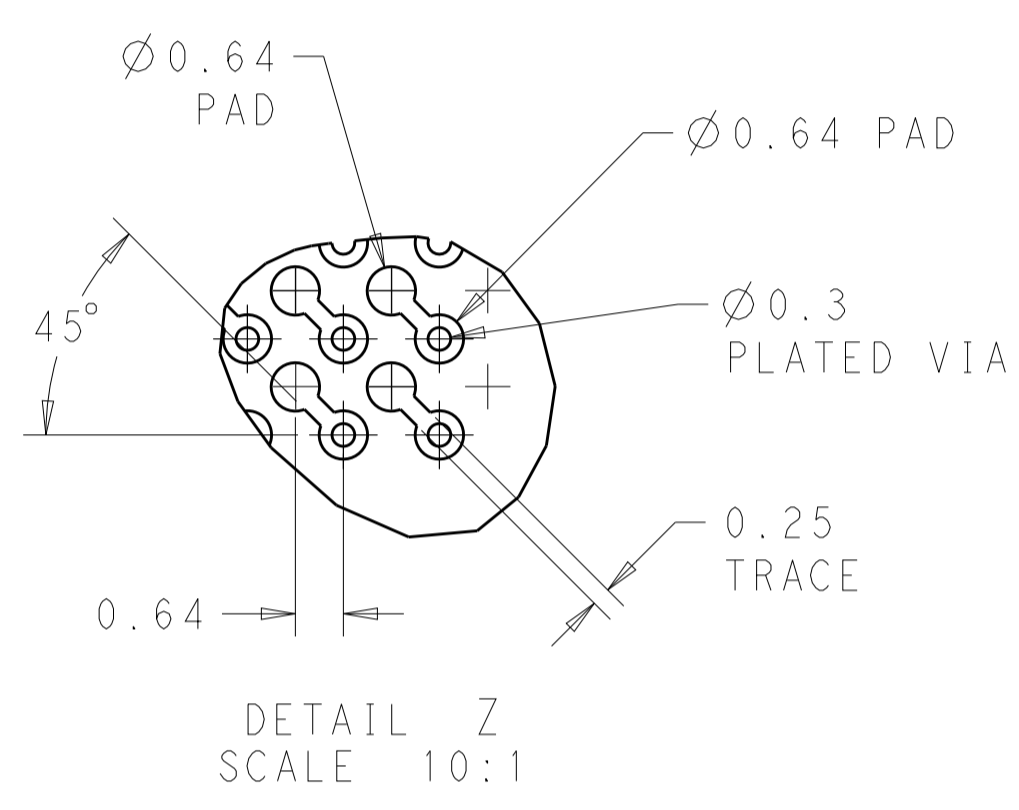
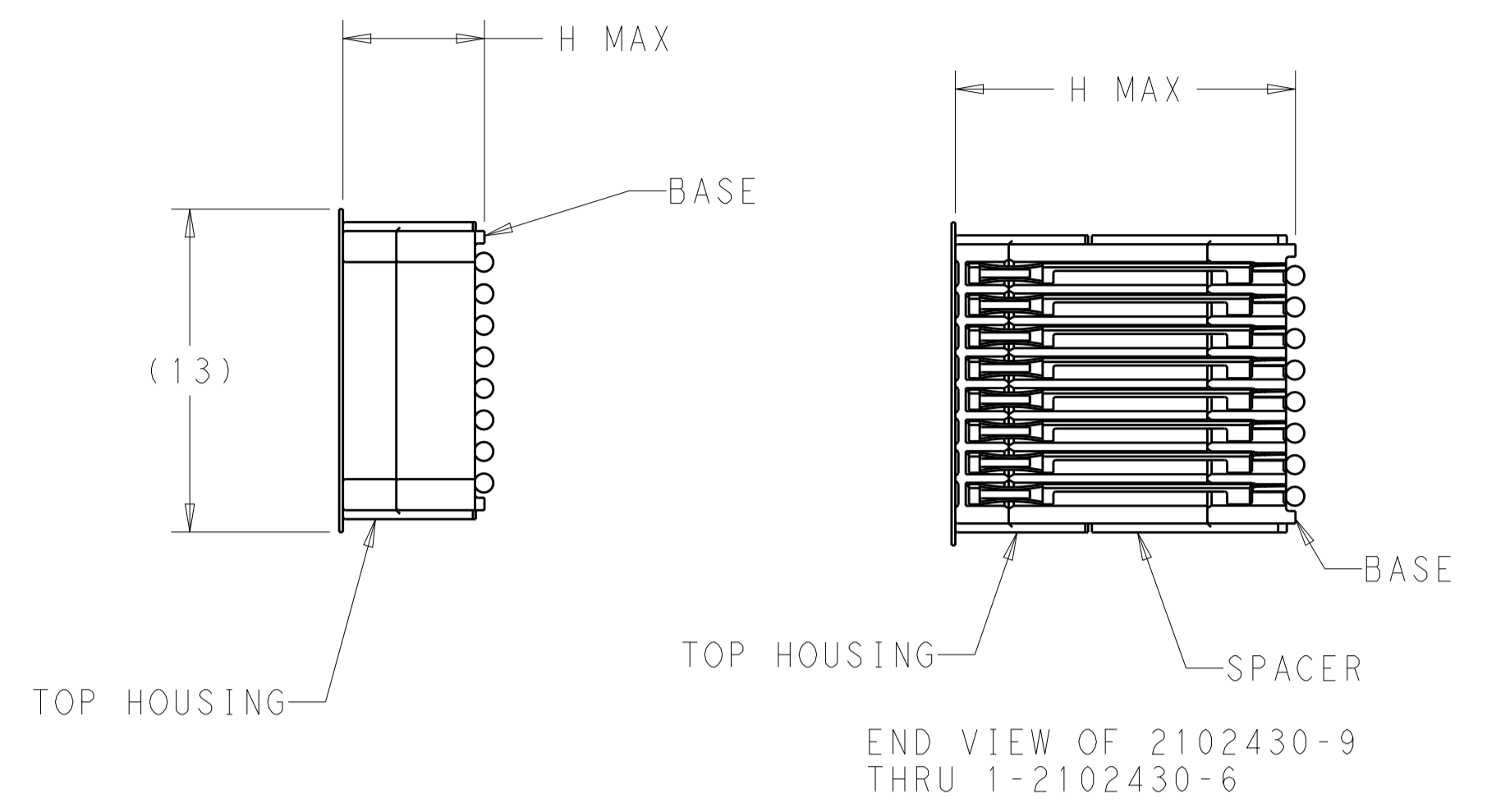
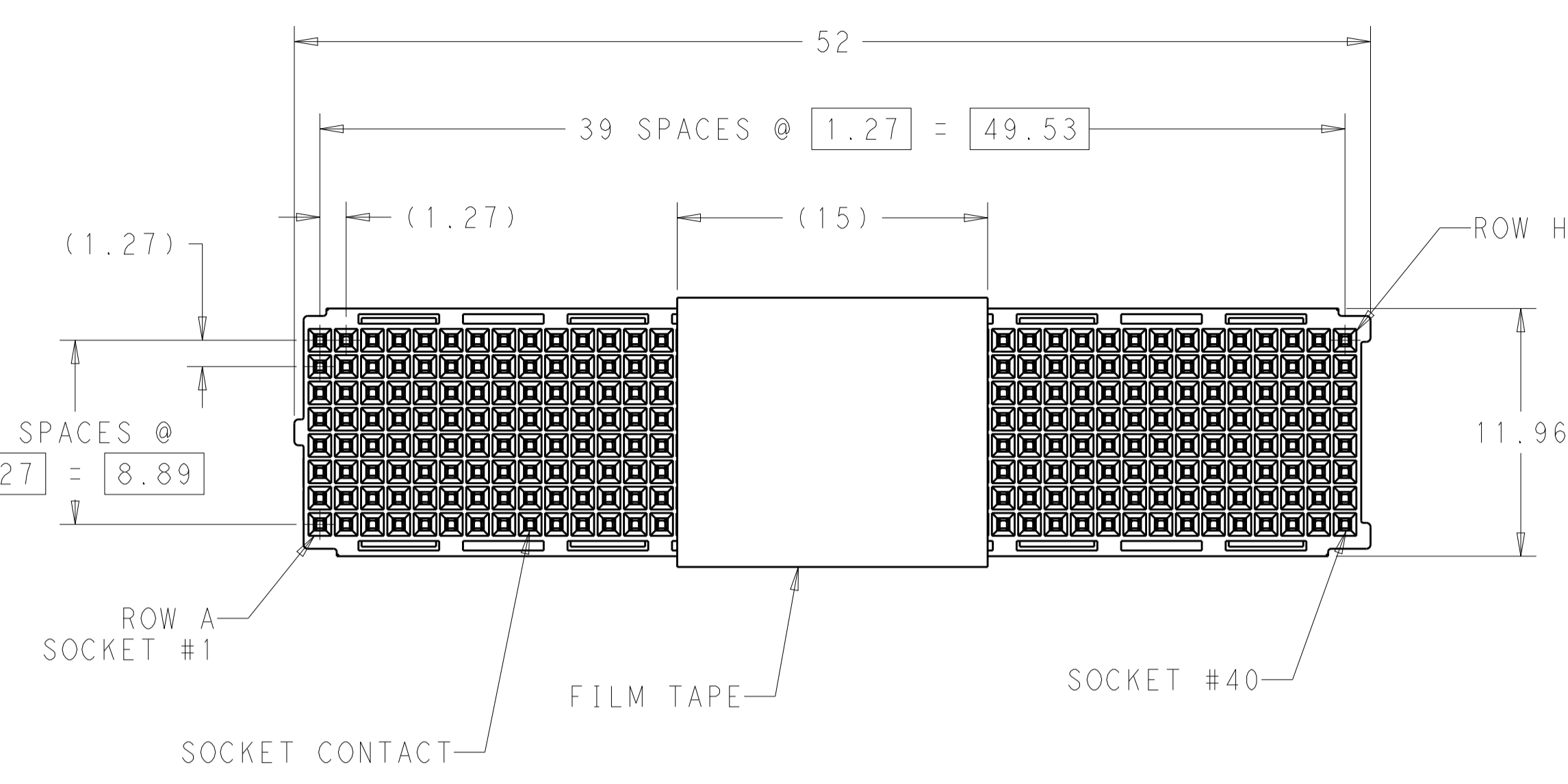


REVISIONS					
P.	LTN.	DESCRIPTION	DATE	OWN.	APVD.
A		RELEASED PER ECO 15-017318	12-10-15	CT	DH

NOTES:  
 △ MATERIAL: LCP, COLOR: NATURAL  
 CONTACT: BERYLLIUM COPPER  
 SOLDER BALL: SEE TABLE  
 FILM TAPE: KAPTON WITH SILICONE ADHESIVE  
 △ FINISH: CONTACT: GOLD (SEE TABLE) ON MATING AREA OVER  
 NICKLE ON ENTIRE CONTACT.  
 3. PRODUCT IS PACKAGE ON TAPE AND REEL.  
 △ PRELIMINARY PART.  
 △ DIAGRAM REPRESENTS THE REELING DIRECTION OF THE PACKAGED  
 CONNECTORS. THERE ARE 10 EMPTY POCKETS AT THE BEGINNING  
 OF THE REEL AND 15 EMPTY POCKETS AT THE END OF THE REEL.



△	2102429-4	15	0.76 μm	11	LEAD FREE PER SAC405	1-2102430-6
△	2102429-3	15	0.76 μm	11	TIN LEAD	1-2102430-5
△	2102429-2	15	1.27 μm	11	LEAD FREE PER SAC405	1-2102430-4
△	2102429-1	15	1.27 μm	11	TIN LEAD	1-2102430-3
	2102429-4	18	0.76 μm	14	LEAD FREE PER SAC405	1-2102430-2
	2102429-3	18	0.76 μm	14	TIN LEAD	1-2102430-1
	2102429-2	18	1.27 μm	14	LEAD FREE PER SAC405	1-2102430-0
	2102429-1	18	1.27 μm	14	TIN LEAD	2102430-9
△	2102429-4	12	0.76 μm	8	LEAD FREE PER SAC405	2102430-8
△	2102429-3	12	0.76 μm	8	TIN LEAD	2102430-7
	2102429-4	10	0.76 μm	6	LEAD FREE PER SAC405	2102430-6
	2102429-3	10	0.76 μm	6	TIN LEAD	2102430-5
△	2102429-2	12	1.27 μm	8	LEAD FREE PER SAC405	2102430-4
△	2102429-1	12	1.27 μm	8	TIN LEAD	2102430-3
	2102429-2	10	1.27 μm	6	LEAD FREE PER SAC405	2102430-2
	2102429-1	10	1.27 μm	6	TIN LEAD	2102430-1
	MATING PART NUMBER	STACK HEIGHT (mm)	GOLD PLATING THICKNESS	H MAX REF	SOLDER BALL MATERIAL	PART NUMBER

THIS DRAWING IS A CONTROLLED DOCUMENT. OWN: MCKIBBEN, JOHN 18 JUL 2012; CHK: DOWHOWER, KENNETH 18 JUL 2012; APVD: [Signature]

DIMENSIONS:	TOLERANCES UNLESS OTHERWISE SPECIFIED:	PRODUCT SPEC	NAME: ASSEMBLY, SOCKET, 320 POSITION, MINI BOX STACKING CONNECTOR
mm	0 PLC ±0.5 1 PLC ±0.5 2 PLC ±0.13 3 PLC ±0.013 4 PLC ±0.0001 ANGLES ±0.0001	APPLICATION SPEC	
MATERIAL	FINISH	SIZE	RESTRICTED TO
		114-13279	A100779C=2102430
		WEIGHT	SCALE 4:1 SHEET 1 OF 1 REV A
		CUSTOMER DRAWING	